

WPM CABLING

CABLING FOR WPM SYSTEMS



WAVEFRONT
PRECISION

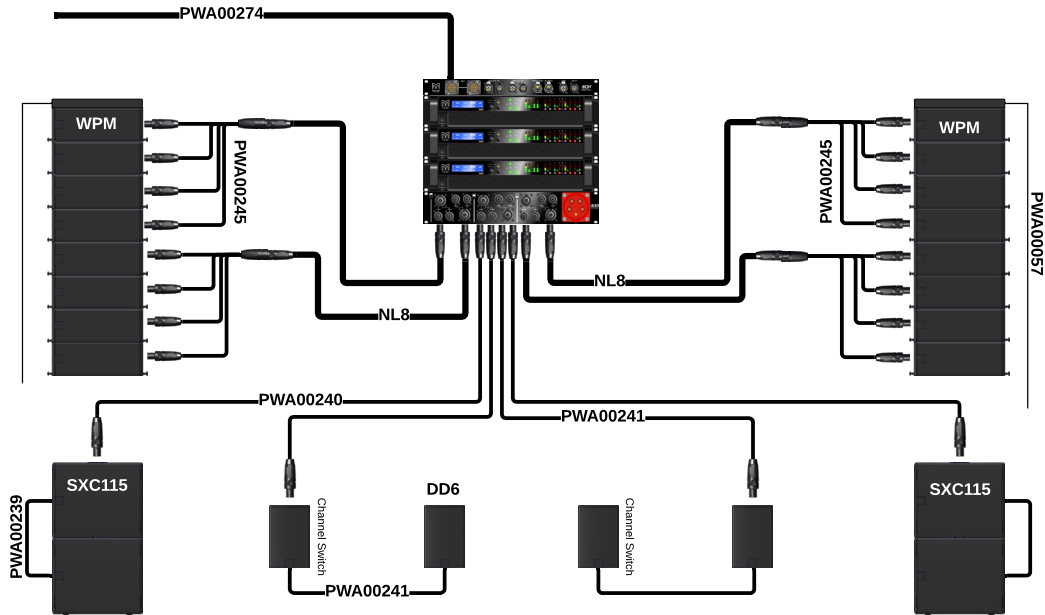
PART NUMBER	DESCRIPTION	LENGTH
PWA00238	NL4 link cable 2.5mm ² <i>Links between cabinets depending on resolution</i>	0.4m
PWA00239	NL4 sub link cable 4mm ² <i>Links subs in pairs depending on pin configuration</i>	1m
PWA00240	NL4 cable 4mm ² <i>Signal to subwoofers</i>	15m
PWA00241	NL4 cable 2.5mm ² <i>Signal to array cabinets</i>	20m
PWA00242	Male Socapex to 4 x NL4 tails 2.5mm ² <i>Signal breakout to array cabinets</i>	5m
PWA00244	Female Socapex to 2 x NL8 break-in <i>Signal break-in to multi-pin</i>	1m
PWA00245	Male NL8 to 4 x NL4 fan out <i>Signal breakout to array cabinets</i>	Staggered from 1m to 4m
PWA00246	Male Socapex to female Socapex <i>Signal multi-pin cable</i>	15m
PWA00057	Inclinometer XLR cable with moulded rubber ends <i>3 pin XLR</i>	35m
PWA00275	Analogue 6 channel link female to female cable <i>Links analogue audio between amplifier racks</i>	2m
PWA00274	Analogue 6 channel break-in female XLR to female link connector <i>Send 6 channels of analogue audio input via link connectors on the input distro</i>	5m

WPM CABLING

CABLING FOR WPM SYSTEMS



One Box Resolution Wiring Diagram



Four Box Resolution Wiring Diagram

