

# THSYPT

## Portrait touring yoke for THS

# TH

SERIES

### Features

- Touring yoke for THS in portrait orientation
- Quick deployment with no tools required
- Truss mount using third-party half-coupler attached to the central hole with an M12 bolt (or 7/16 inch bolt and washer)
- One central 12.5 mm (0.49 in) hole, two 12.5 mm (0.49 in) inner holes, two 8.2 mm (0.32 in) outer holes
- Allows adjustment to tilt (adjust pan on installation)
- Available in black only (THSYPT-B)

### Applications

- Touring flown or mounted THS

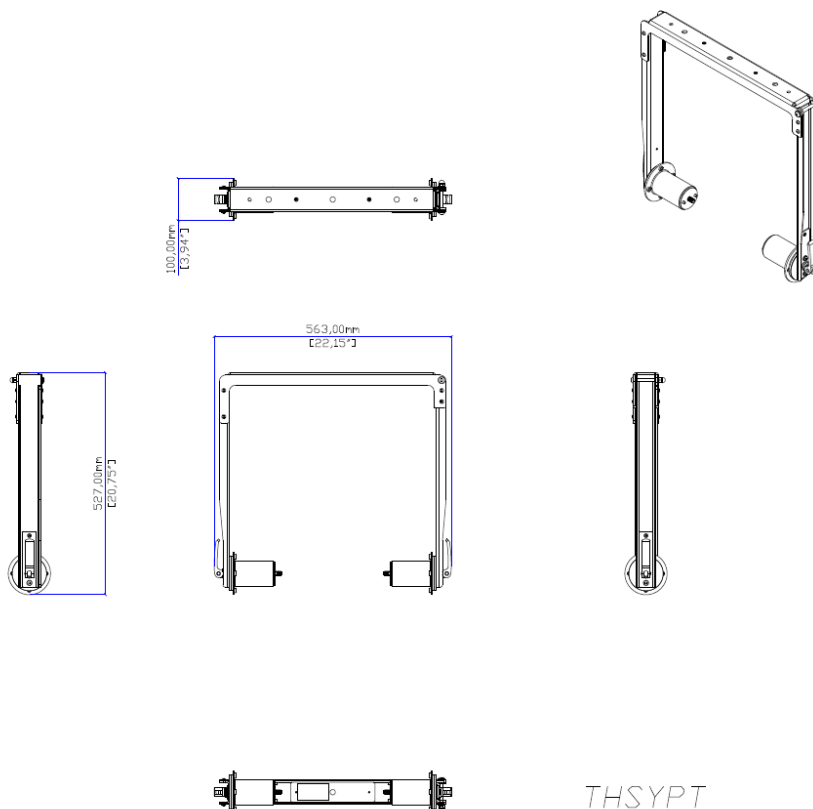
### Contents

- 1 x THSYPT-B yoke

### Technical Specifications

Weight: 6.0 kg (13.2 lb)

Material: Weatherised polyester powder coated steel



THSYPT

Martin Audio Ltd  
Century Point, Halifax Road, High Wycombe  
Buckinghamshire HP12 3SL, England

Telephone: +44 (0) 1494 535 312  
Email: [info@martin-audio.com](mailto:info@martin-audio.com)

All information is Copyright © 2026 Martin Audio Ltd.



[www.martin-audio.com](http://www.martin-audio.com)