

THSYLT

Landscape touring yoke for THS

TH

SERIES

Features

- Touring yoke for THS in landscape orientation
- Quick deployment with no tools required
- Truss mount using third-party half-coupler attached to the central hole with an M12 bolt (or 7/16 inch bolt and washer)
- One central 12.5 mm (0.49 in) hole, two 12.5 mm (0.49 in) inner holes, two 8.2 mm (0.32 in) outer holes
- Allows adjustment to tilt (adjust pan on installation)
- Available in black only (THSYLT-B)

Applications

- Touring flown or mounted THS

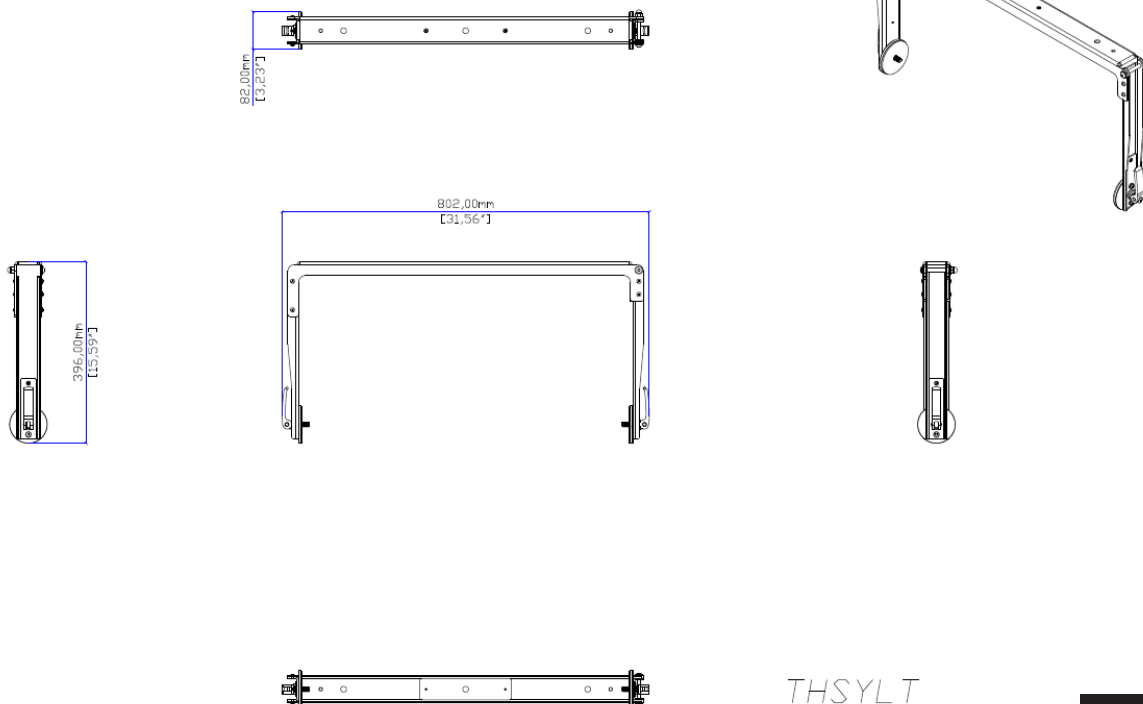
Contents

- 1 x THSYLT-B yoke

Technical Specifications

Weight: 4.5 kg (9.9 lb)

Material: Weatherised polyester powder coated steel



THSYLT

Martin Audio Ltd
 Century Point, Halifax Road, High Wycombe
 Buckinghamshire HP12 3SL, England

Telephone: +44 (0) 1494 535 312
 Email: info@martin-audio.com

All information is Copyright © 2026 Martin Audio Ltd.



www.martin-audio.com