

THSYLI

Landscape installation yoke for THS

TH

SERIES

Features

- Installation yoke for THS in landscape orientation
- Wall, ceiling or truss mount
- Truss mount using third-party half-coupler attached to the central hole with an M12 bolt (or 7/16 inch bolt and washer)
- One central 12.5 mm (0.49 in) hole, two 10.2 mm (0.40 in) inner holes, two 8.2 mm (0.32 in) outer holes
- Allows adjustment to tilt (adjust pan on installation)
- Available in black only (THSYLI-B)

Applications

- Installation flown or mounted THS

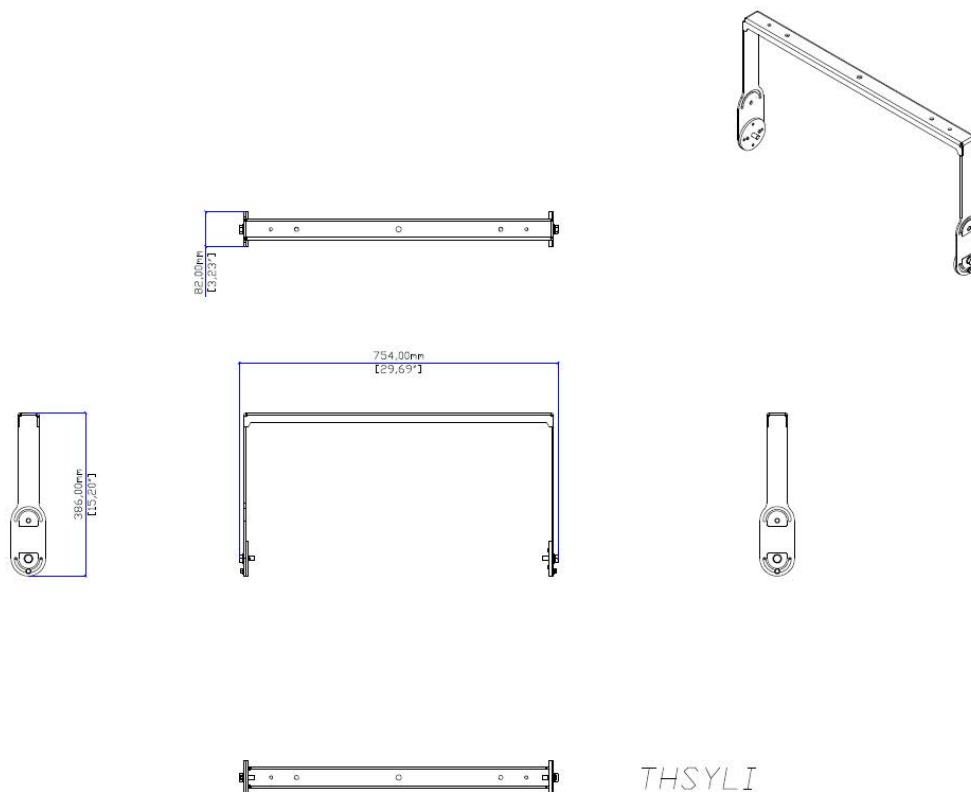
Contents

- 1 x THSYLI-B yoke

Technical Specifications

Weight: 3.8 kg (8.3 lb)

Material: Weatherised polyester powder coated steel



THSYLI

Martin Audio Ltd
Century Point, Halifax Road, High Wycombe
Buckinghamshire HP12 3SL, England

Telephone: +44 (0) 1494 535 312
Email: info@martin-audio.com

All information is Copyright © 2026 Martin Audio Ltd.



www.martin-audio.com