

SBAR40

TORUS

FLYING BRACKET FOR UP TO TWO TORUS T8 OR A SINGLE TORUS T12

Features

- Flying bar for two T8 or single T12 cabinet in horizontal (landscape) mode
- Both left and right horn orientations
- Truss / scaffold mounting (half coupler not supplied)
- Available in black or white

Applications

- Flown TORUS T8 or T12.

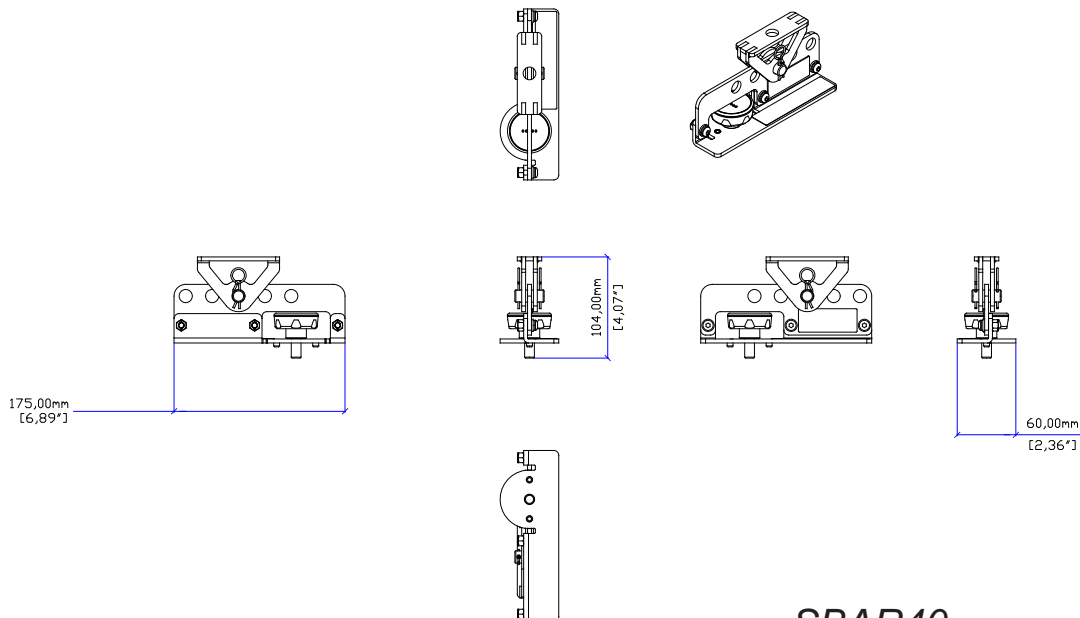
Contents

- 1 x SBAR40 Flying bracket
- 1 x Clamp adaptor
- 1 x Linking pin
- 2 x Safety clips



Technical Specifications

Weight:	0.75kg (1.65lb)
Material:	Weatherised Polyester Powder coated steel



SBAR40